



Electrical & Computer
ENGINEERING
Carnegie Mellon University



department
leadership

James C. Hoe
Professor and Interim Head



Jim Bain
Associate Head



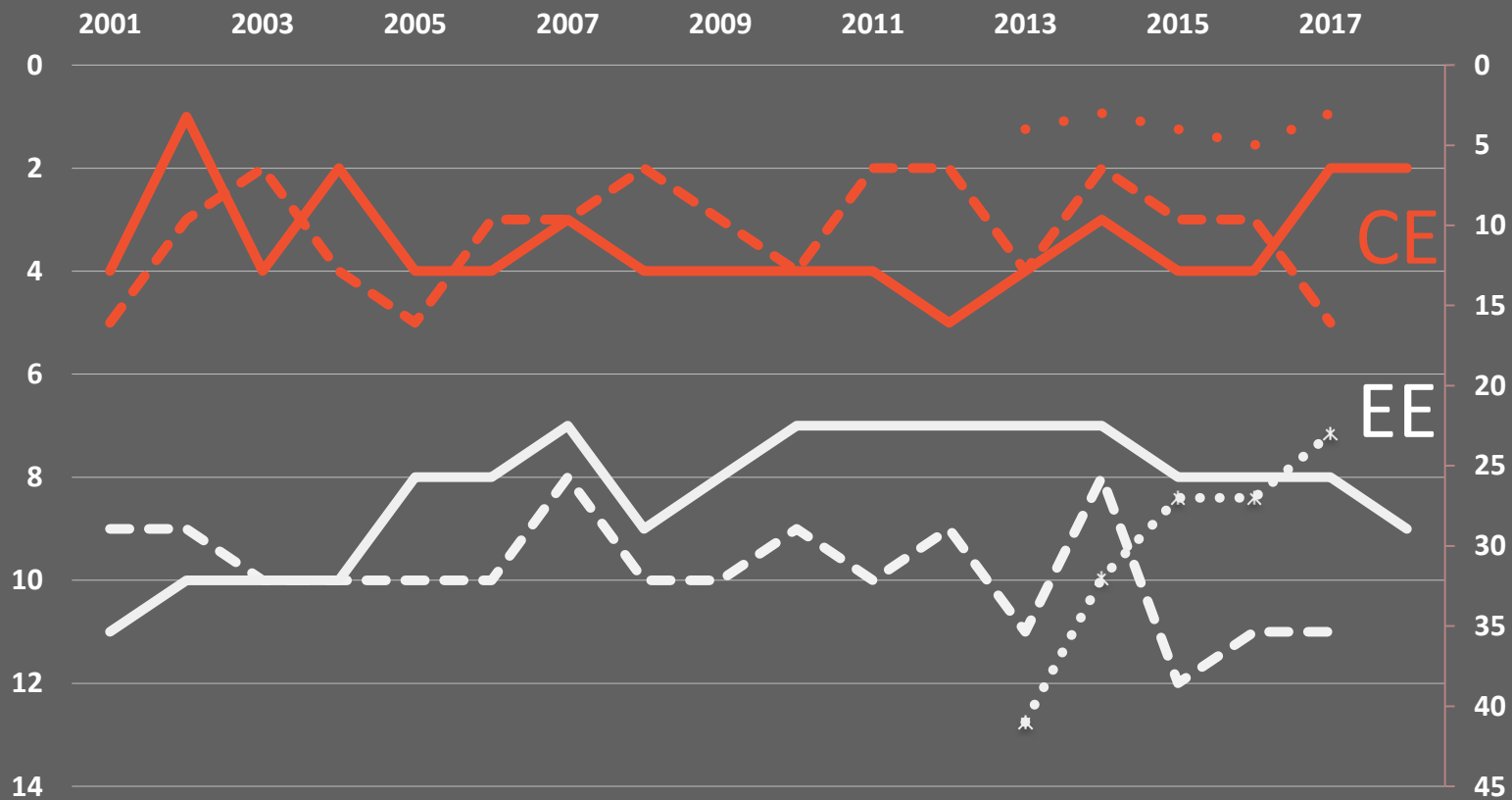
Jose Moura
Associate Head

CMU-ECE is ... global



rankings

ECE



rankings



TFE Times

2016 Computer Engineering Rankings

SEPTEMBER 7, 2015

2016 CE Rankings

Search:

Rank	University	Program
1	Carnegie Mellon University	Master of Computer Engineering
2	University of Illinois Urbana-Champaign	Master of Computer Engineering
3	Georgia Institute of Technology	Master of Computer Engineering
4	Cornell University	Master of Computer Engineering
5	Columbia University	Master of Computer Engineering

rankings
STEM



The 10 Best Colleges for Females in STEM Fields

2

CARNEGIE MELLON UNIVERSITY



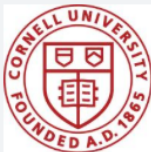

rankings

in Search universities... Home Profile Connections Jobs Interests Business Services Try Premi

LinkedIn University Rankings | United States | Undergraduate

Best undergraduate universities for software developers

We ranked universities based on how successful recent graduates have been at landing desirable software development jobs. [Learn more](#)

1		Carnegie Mellon University Greater Pittsburgh Area 77,500 students & alumni on LinkedIn	Add to board
		See more	
2		Caltech Greater Los Angeles Area 21,200 students & alumni on LinkedIn	Add to board
		See more	
3		Cornell University Ithaca, New York Area 184,900 students & alumni on LinkedIn	Add to board
		See more	
4		Massachusetts Institute of Technology Greater Boston Area 111,500 students & alumni on LinkedIn	Add to board
		See more	

Carnegie Mellon University Silicon Valley



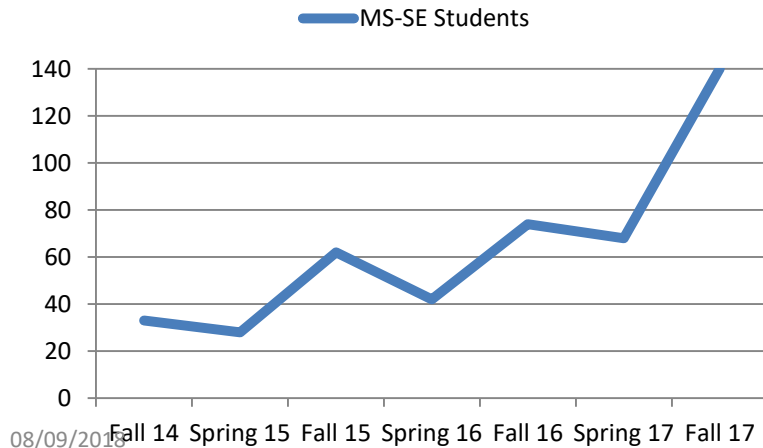
ECE Signature Program in SV: Master in Software Engineering



ECE Educational Programs

Program	# Students*
M.S. in Software Engineering (SE)	140
M.S. in Electrical & Computer Engineering (ECE)	54
Ph.D. in Electrical & Computer Engineering (ECE)	27
	221

*Dec 2017



Developed by 3 core faculty using a rigorous process



Leadership in SE Education: SECM' 2017 and SEEM' 2018

International Workshop on Software Engineering Curricula for Millennials

Saturday May 27, 2017, Buenos Aires, Argentina



[Workshop Preparation](#) [Agenda](#) [Invited Talk](#) [Accepted Papers](#) [Position Slides](#) [Import](#)

[Call for Contributions](#)



Search



MENU



Software Engineering Education for Millennials

Second International Workshop, Gothenburg, Sweden, June 2, 2018



[Call for Papers](#) [Organization](#) [Venue](#)

Welcome to SEEM 2018 @ICSEConf!

**** Submissions are closed! ****

**** Call for Papers *****

18-600

IMPORTANT DATES

- Submissions-Open: Dec-5
- Submissions-Closed: ~~Extended to Feb-11~~
- Notifications: Mar 5
- Camera-Ready: Mar 19
- Workshop: Jun 2

Submit a paper via:



Foster

Impact

Research

Educate

strategic
objectives

F **foster** an exciting and inclusive environment that motivates our faculty, students and staff to achieve and create at the highest levels

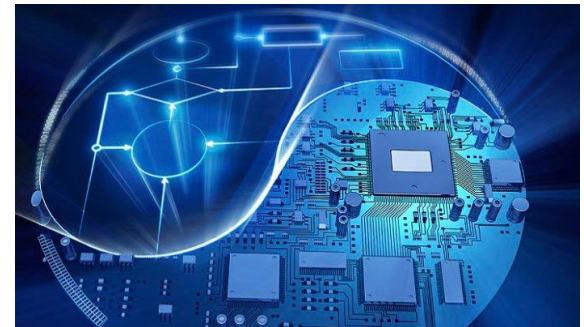
I **impact** society through the scientific and entrepreneurial work we do and the people we educate

R lead the **research** & discovery of cutting-edge solutions to fundamental scientific and real-world engineering challenges

E provide high quality, innovative **education** to future intellectual leaders and technical trailblazers strategic

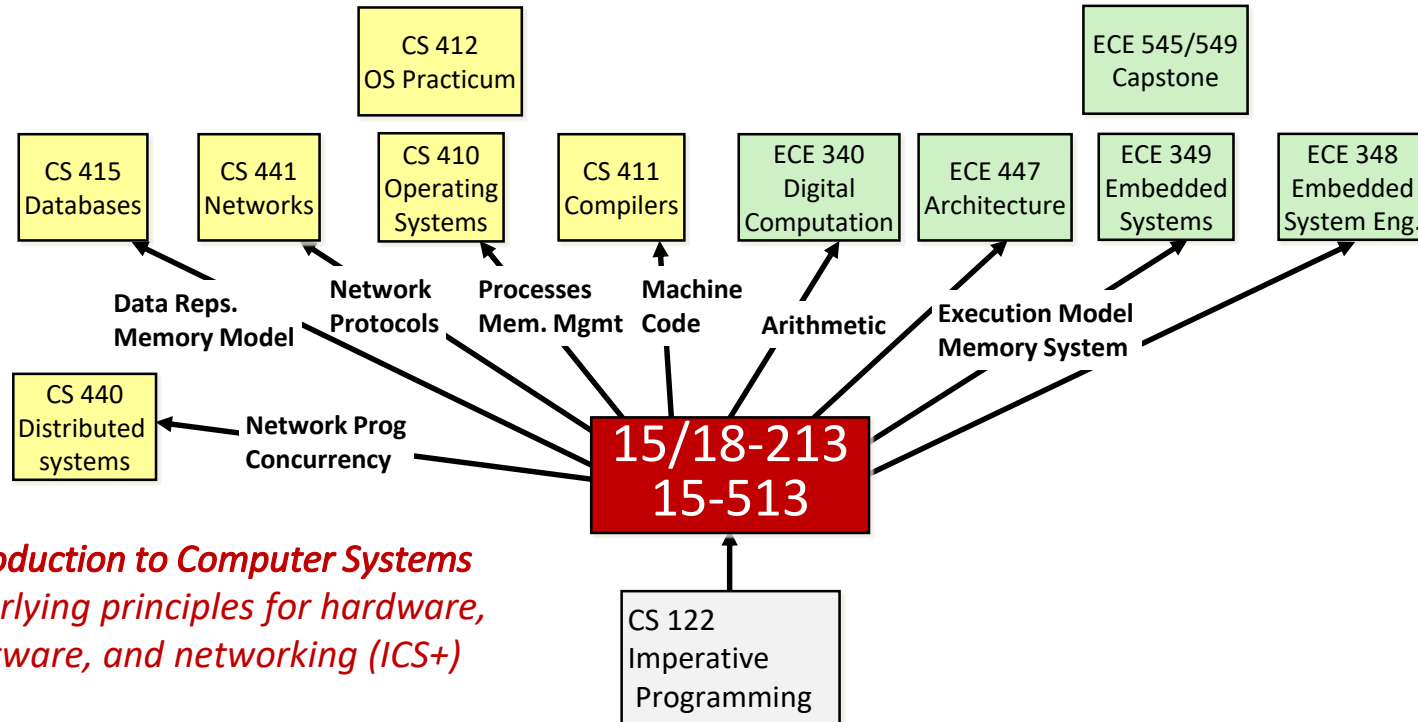
objectives

18-600 "Foundations of Computer Systems" (Fall 2018)



What Is 18-600?

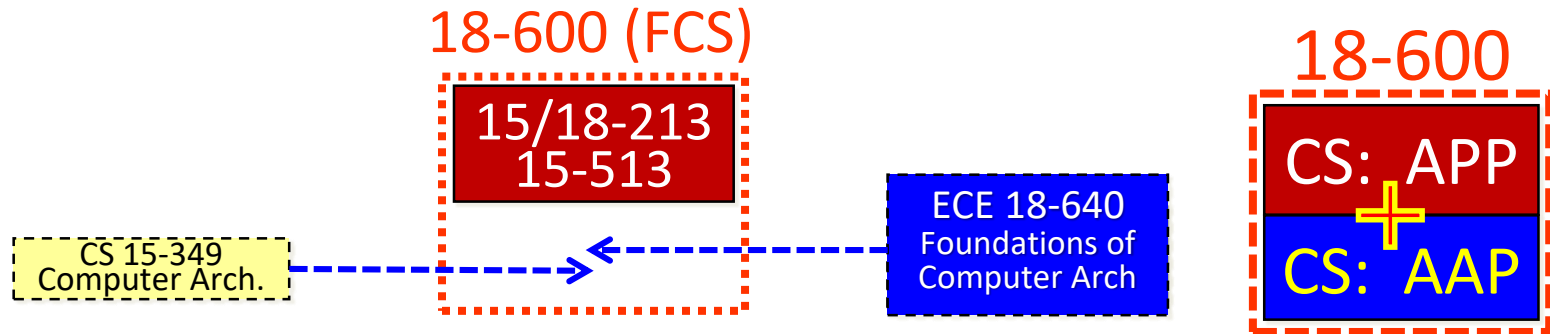
18-600 = 15-513++



Introduction to Computer Systems
Underlying principles for hardware,
software, and networking (ICS+)

$$18-600 = 15-513 + (15-349) + 18-640 \text{ (lite)}$$

A Programmer's Perspective of Computer Systems



An Architect's Perspective of Computer Systems



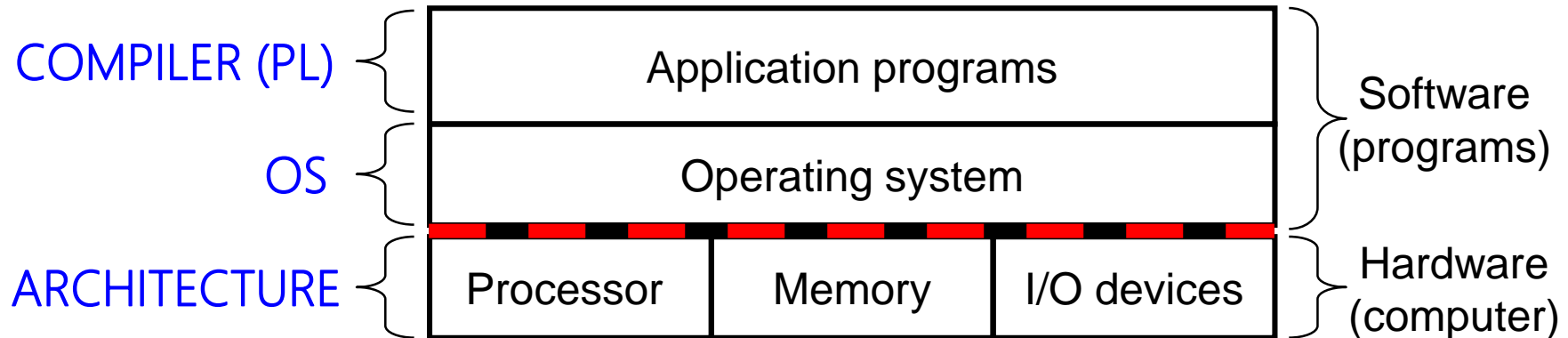
Anatomy of a Computer System: SW/HW

➤ What is a Computer System?

❖ = [Software + Hardware] = [Programs + Computer]

❖ = [Application program + OS] + [Processor + Memory + I/O Devices]

❖ Programming Languages + Operating Systems + Computer Architecture





Electrical & Computer
ENGINEERING
Carnegie Mellon University

